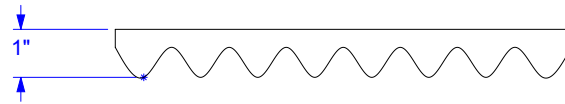


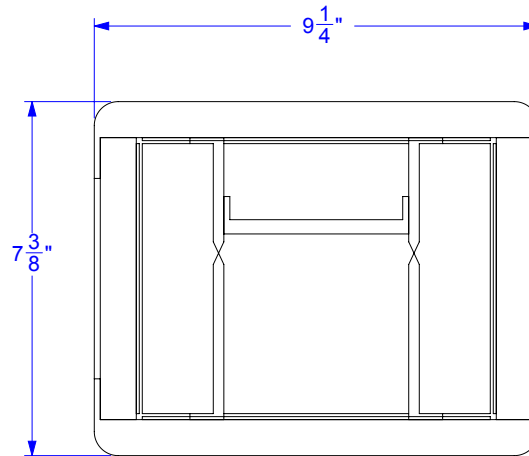
ITEM	DESCRIPTION	QTY.
1	908_PADDED DIVIDER 4.75"X0.3"X3.85"	1
2	908_DIVIDER FLEXIBLE 4.75" X 0.22" X5.875"	2
3	908_PADDED DIVIDER CONTOUR	1
4	908_CONVOLUTED FOAM	1

LID TRAY - ELEVATION

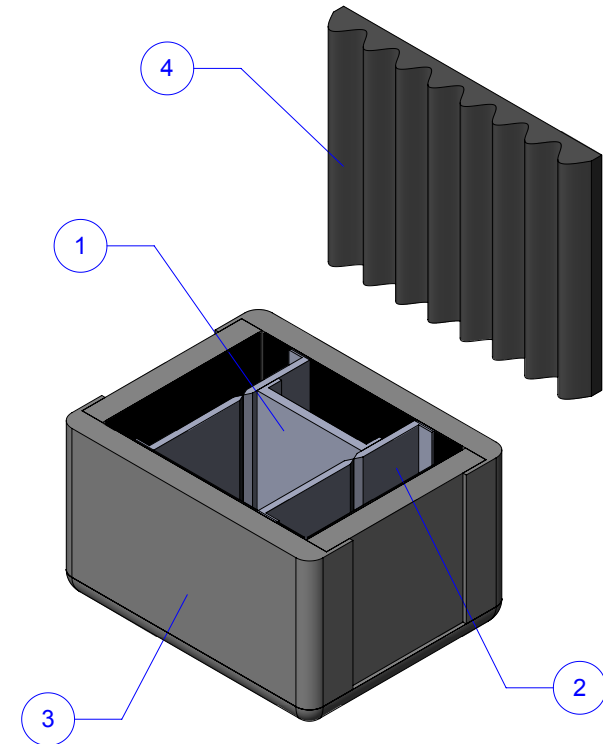


CONVOLUTED FOAM

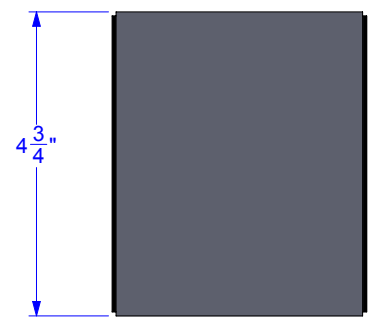
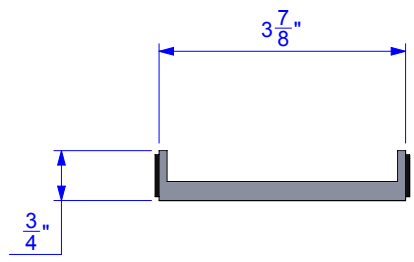
DIVIDERS



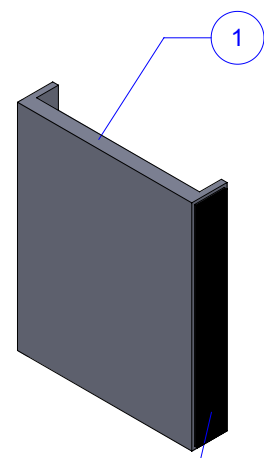
DIVIDERS - ELEVATION



REVISIONS			
REV.	DESCRIPTION	DATE	INITIALS

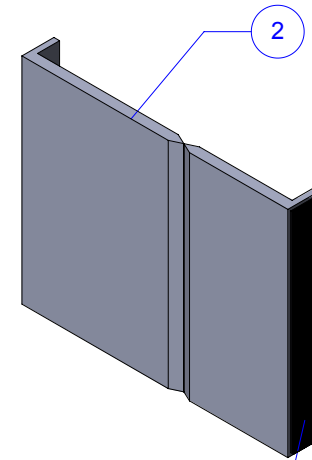
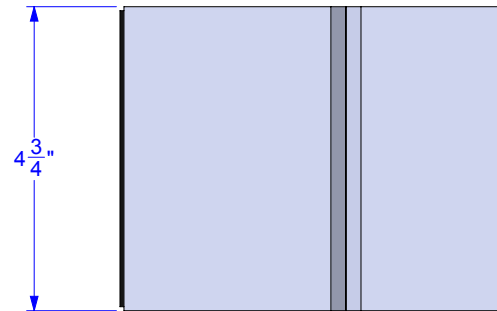
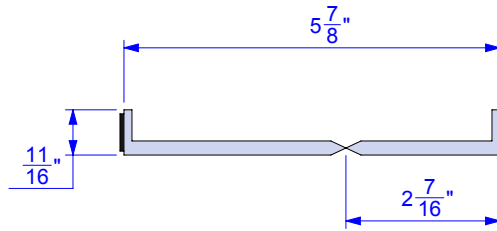


908\_PADDED DIVIDER 4.75"X0.3"X3.85"



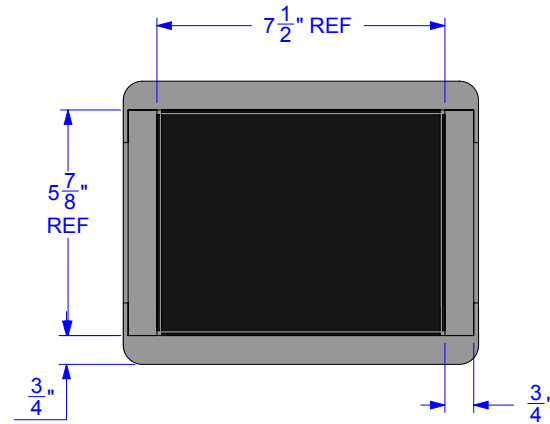
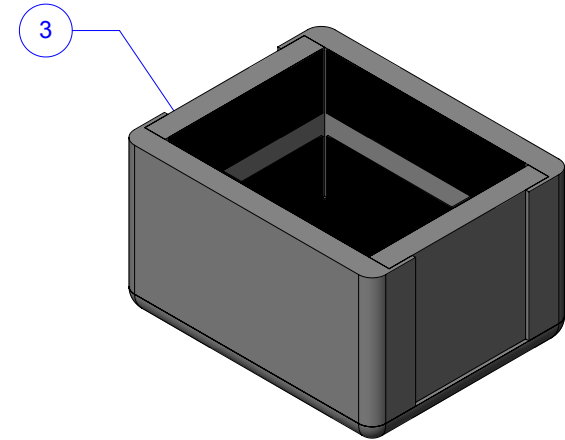
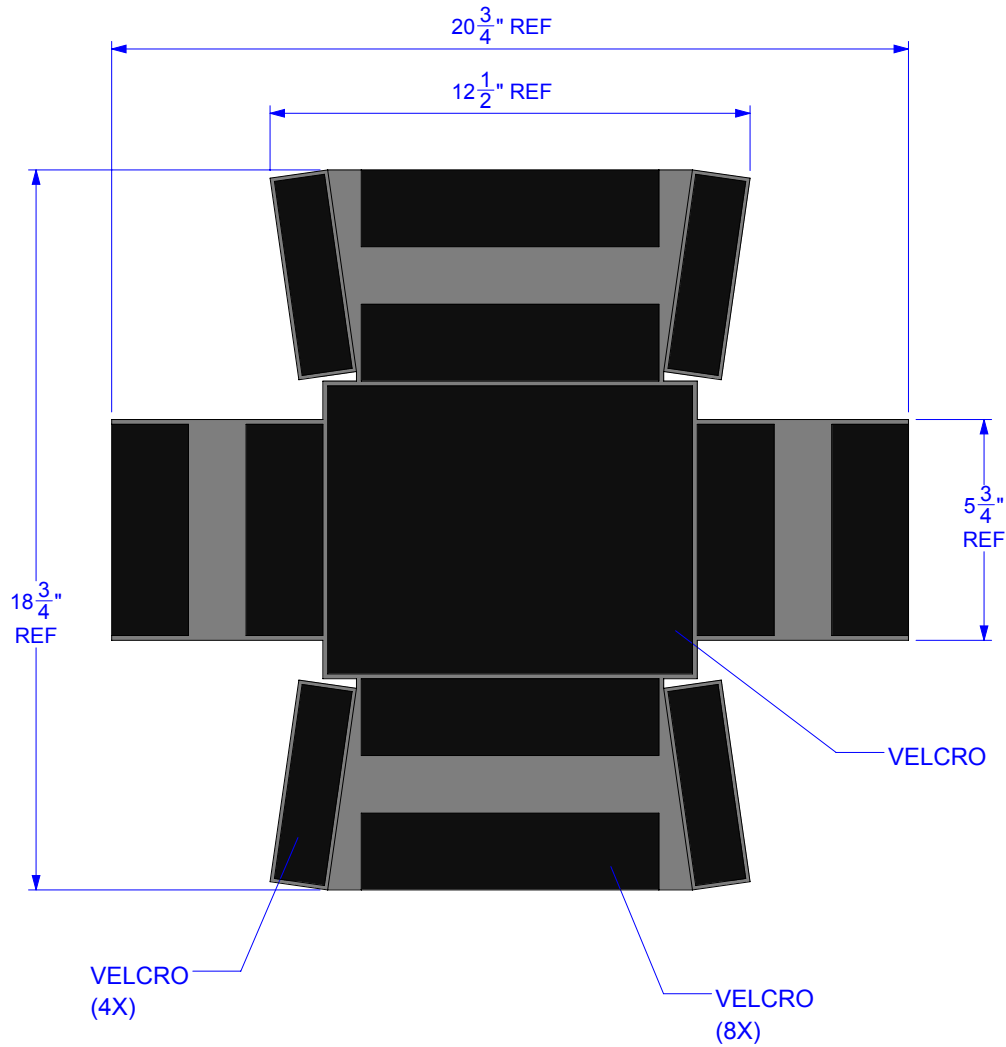
VELCRO ON BOTH ENDS /  
 VELCRO SUR LES  
 DEUX EXTREMITES

FOAM DENSITY MAY VARY  
 DIMENSIONS ARE IN INCHES UNLESS OTHERWISE SPECIFIED



VELCRO ON BOTH ENDS /  
 VELCRO SUR LES  
 DEUX EXTREMITES

908\_PADDED DIVIDER 4.75"X0.3"X3.85"



908\_PADDED DIVIDER CONTOUR

FOAM DENSITY MAY VARY.  
 DIMENSIONS ARE IN INCHES UNLESS OTHERWISE SPECIFIED

