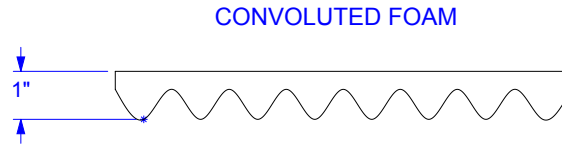
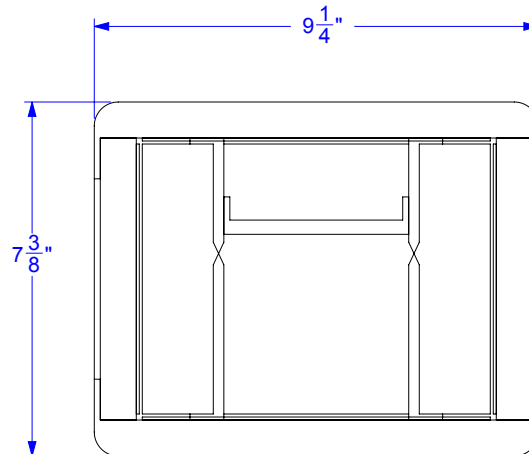


ITEM	DESCRIPTION	QTY.
1	905_PADDED DIVIDER 3" X 0.3" X 3.85"	1
2	905_DIVIDER FLEXIBLE 3" X 0.22" X 5.875"	2
3	905_PADDED DIVIDER CONTOUR	1
4	905_CONVOLUTED FOAM	1

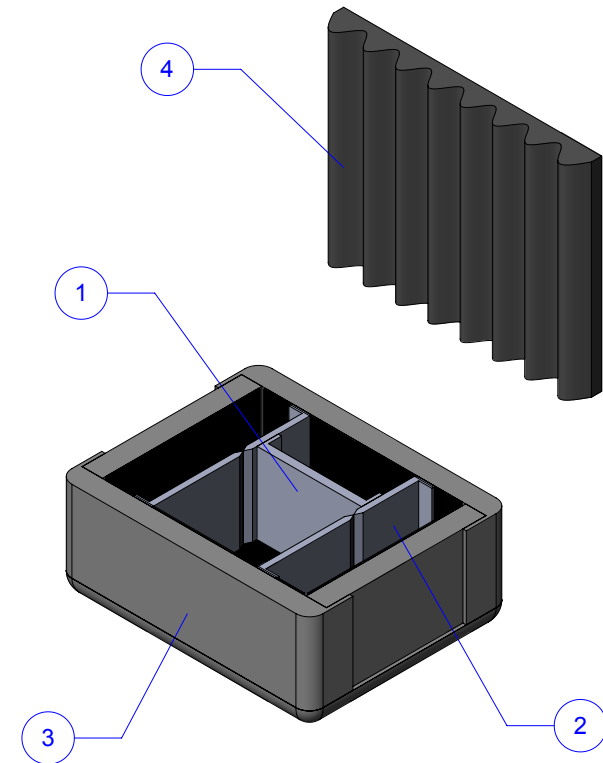
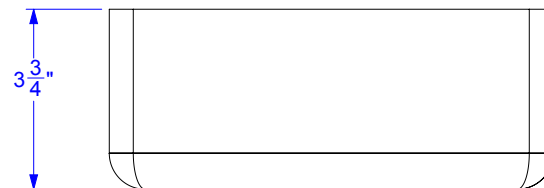
LID TRAY - ELEVATION



DIVIDERS



DIVIDERS - ELEVATION



REV.	DESCRIPTION	DATE	INITIALS
REVISIONS			



1059, boulevard des Entreprises Ouest
 Terrebonne, QC Canada J6Y 1V2
 Tel 450-628-1006 1.800.783.6883
 Fax 450-628-7801 1.888.783.6883
 www.plasticase.com

905_PADDED DIVIDER

PROJECT

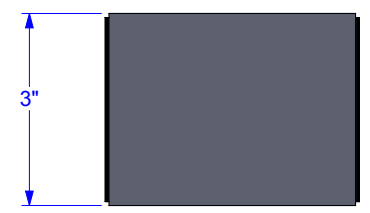
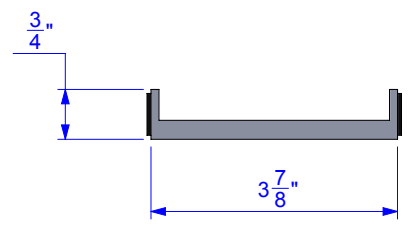
905_NANUK

PRODUCT

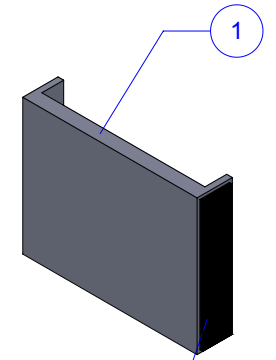
905_PADDED_DIVIDER_a.00

DWG ID

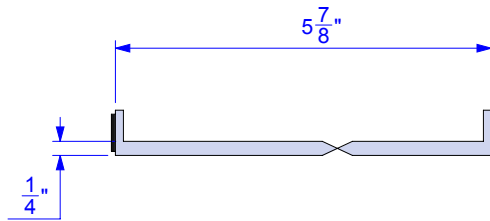
STATUS



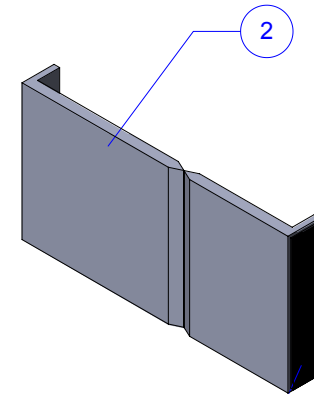
905_PADDED DIVIDER 3" X 0.3" X 3.85"



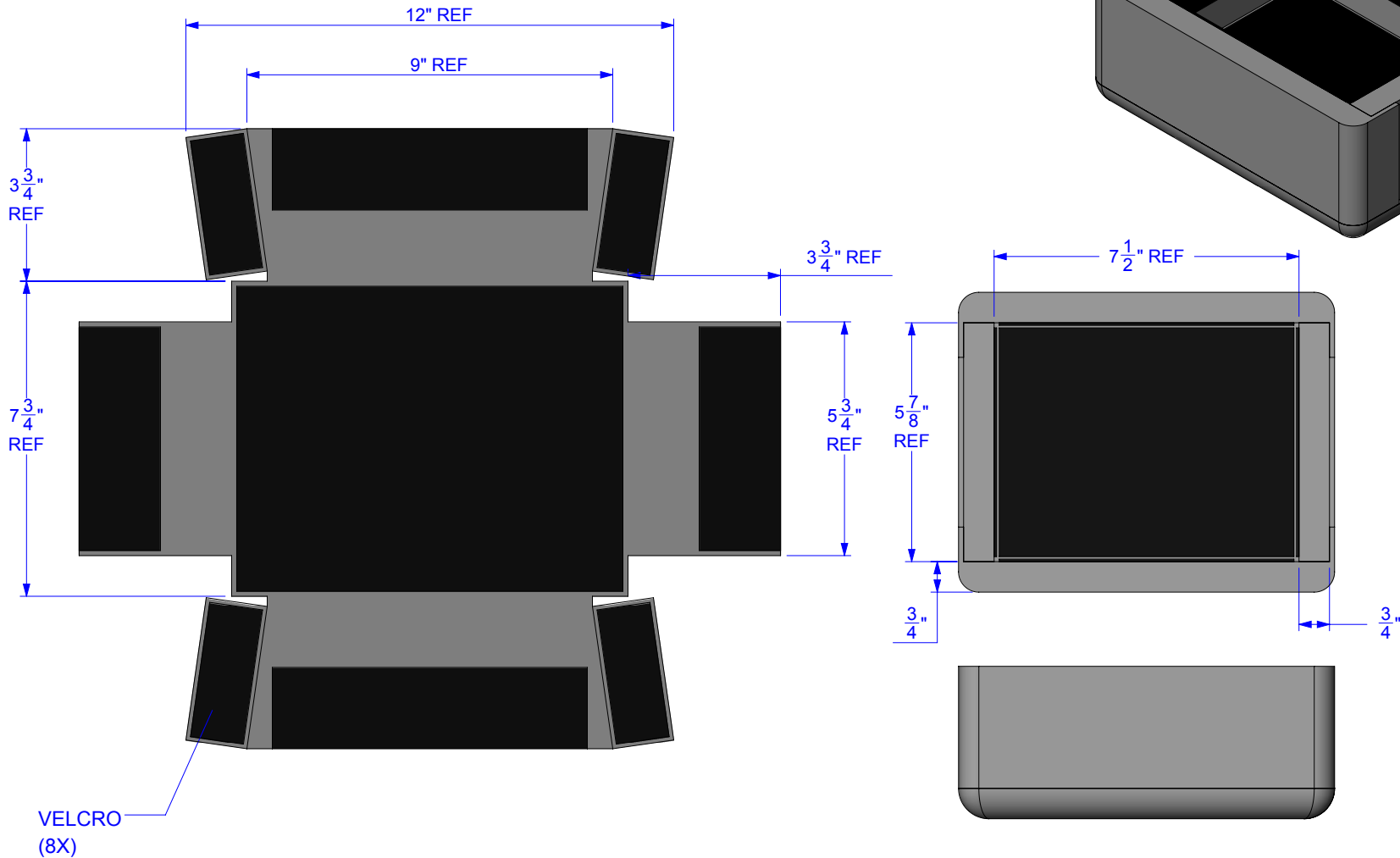
VELCRO ON BOTH ENDS/
 VELCRO SUR LES
 DEUX EXTREMITES



905_DIVIDER FLEXIBLE 3" X 0.22" X 5.875"

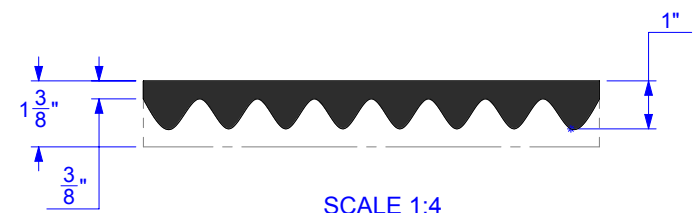
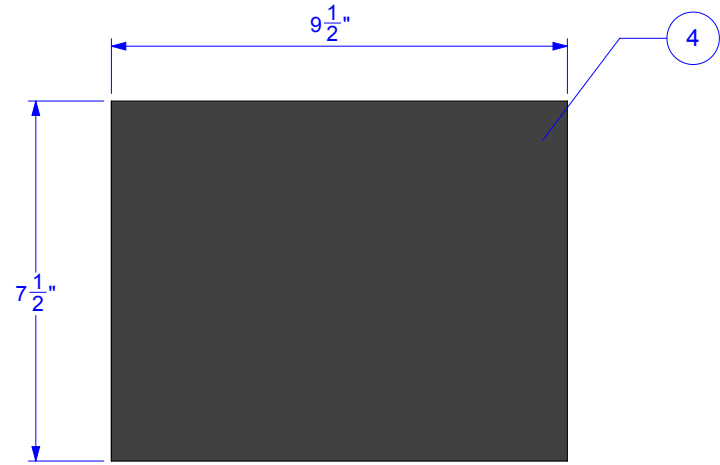


VELCRO ON BOTH ENDS/
 VELCRO SUR LES
 DEUX EXTREMITES



905_PADDED DIVIDER CONTOUR

FOAM DENSITY MAY VARY.
 DIMENSIONS ARE IN INCHES UNLESS OTHERWISE SPECIFIED



SCALE 1:4

PUF150-55 1 3/8" THICK 3/8" BASE MATERIAL		
-	51"	1
LINEAR IN	DETAIL	QTY